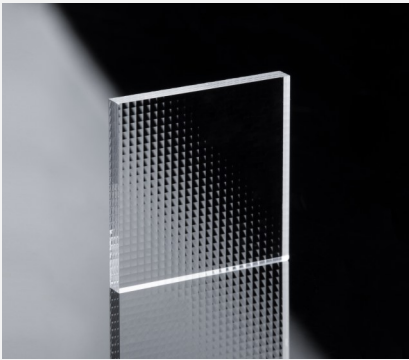


Homogenizer

Pitch 1.3



Features and Advantages

Lens array with cross-oriented cylindrical lenses on both sides.
Top hat profiles with high homogeneity can be generated in both dimensions. ⁽¹⁾

Product Specifications

Specification Data	Unit	Value
Material		Fused Silica
Length (L)	mm	35.0 ± 0.1
Width (W)	mm	35.0 ± 0.1
Thickness (T)	mm	2.0 ± 0.1
Clear Aperture	mm ²	32.5 x 32.5
Refractive Index n @ 248 nm / @ 532 nm / @ 1064nm		1.509 / 1.461 / 1.449
Pitch (P)	mm	1.3
Transmission (without coating)	%	> 90
Protective Chamfer	mm x 45°	0.3 ± 0.2
Surface Imperfections (DIN ISO 10110-7)		5/ 10×0,1; L3×0,25; E1

Product Code	ZLA000218 ⁽²⁾	ZLA000800 ⁽²⁾	ZLA001687 ⁽²⁾	ZLA000794 ⁽²⁾		
Specification Data	Unit	Value				
Radius	mm	2.99 ± 0.09	4.40 ± 0.13	6.50 ± 0.20	8.40 ± 0.25	
EFL	@ 248 nm	mm	5.88 ± 0.18	8.65 ± 0.26	12.8 ± 0.38	16.5 ± 0.50
	@ 532 nm	mm	6.49 ± 0.19	9.55 ± 0.29	14.1 ± 0.42	18.2 ± 0.55
	@ 1064nm	mm	6.65 ± 0.20	9.79 ± 0.29	14.5 ± 0.43	18.7 ± 0.56
Numerical Aperture [p / (2f)]	@ 248 nm		0.1105	0.0751	0.0508	0.0394
	@ 532 nm		0.1002	0.0681	0.0461	0.0357
	@ 1064nm		0.0977	0.0664	0.0448	0.0348

⁽¹⁾ Suitable for multi-mode laser sources M² > 20 (approx.)

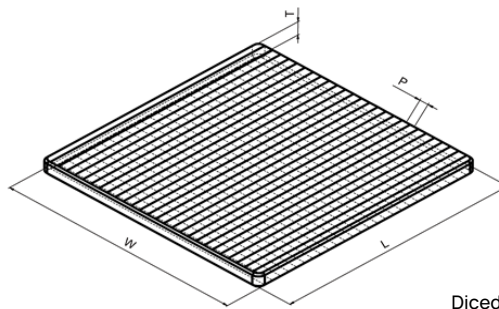
⁽²⁾ Example for customization – design and dimensions on request.

Product Specifications

Product Code			ZLA000781	ZLA000788 ⁽²⁾	ZLA000743 ⁽²⁾	ZLA000787 ⁽²⁾
Specification Data		Unit	Value			
Radius		mm	12.5 ± 0.38	17.0 ± 0.51	50.0 ± 1.5	-50.0 ± 1.5
EFL	@ 248 nm	mm	24.6 ± 0.74	33.4 ± 1.0	98.3 ± 2.9	-98.3 ± 2.9
	@ 532 nm	mm	27.1 ± 0.81	36.9 ± 1.1	108.5 ± 3.3	-108.5 ± 3.3
	@ 1064nm	mm	27.8 ± 0.83	37.8 ± 1.1	111.2 ± 3.3	-111.2 ± 3.3
Numerical Aperture [p / (2f)]	@ 248 nm		0.0264	0.0195	0.0066	0.0066
	@ 532 nm		0.0240	0.0176	0.0060	0.0060
	@ 1064nm		0.0234	0.0172	0.0059	0.0059

⁽²⁾ Example for customization – design and dimensions on request.

Product Drawing (mm)



Diced asymmetrically – symmetric dicing on request