

High Power Fiber Coupled Diode Laser

FCSE08 Series



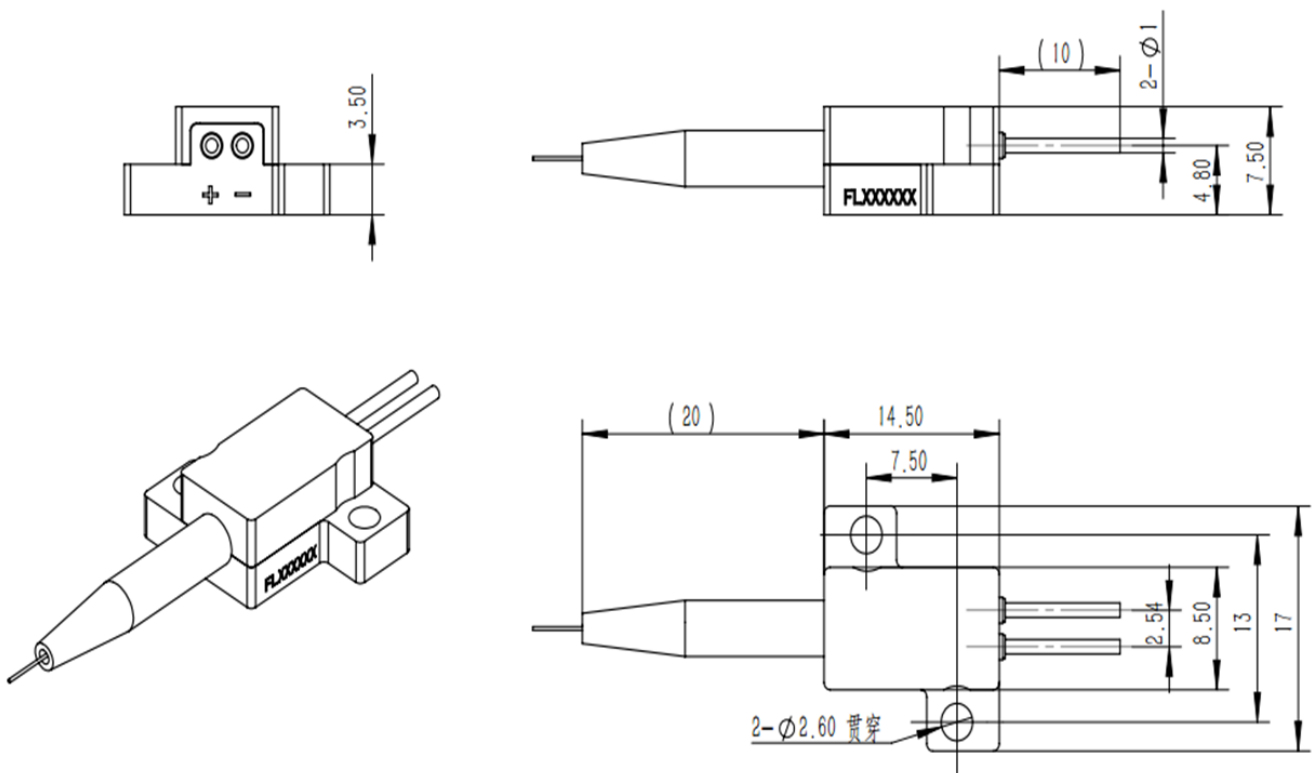
Features

- High brightness
- High power
- Compact housing
- Hermetically sealed housing
- Conduction Cooling

Applications

- Advanced Manufacturing
- Health
- Information Technology
- Scientific Research

Product Dimensions (mm)



Remark: The structure drawing is for reference only. Please feel free to contact us for any special requirements.

Product Specifications

Product Code	FCE000026
Part No. ¹	FL-FCSE08-7-808-200

Optical Data	Unit	Value
CW-nominal output power	W	7
Centroid wavelength	nm	808
Wavelength tolerance (±)	nm	3
Spectral width (FWHM)	nm	≤3
Wavelength Temp. drift	nm/°C	~0.28
Feedback Protection(1040nm-1100nm)	dB	/

Fiber connection		
Fiber included		Yes
Fiber core diameter	μm	200
Numerical aperture		0.22
Fiber optic connector ²		SMA905(SF 8°)
Fiber length	m	1.5±0.1

Operation Conditions		
Nominal diode heat sink Temp.	°C	25
Diode heat sink operation Temp. ³	°C	+20 ... +30
Minimum heat sink capacity	W	20

Electrical Data		
Operation current	A	≤9.2
Typical threshold current	A	≤1.8
Typical operation voltage	V	≤2.2
Typical slope	W/A	≥0.9
Typical E/O efficiency	%	≥40

Package		
Dimensions	mm ³	44.5×17×7.5
Weight basic package	g	15
Storage Temp.	°C	-20 ... +80

Measurement		
Fiber		AR coated, 200μm
Diode heat sink Temp.	°C	25

¹ Part No. = Brand Code - Series - Power - Centroid Wavelength - Fiber core diameter.

² SF 8°: Flat end 8°.

³ Operation beyond recommended temperature may cause lifetime reduction or even damage to the product.

