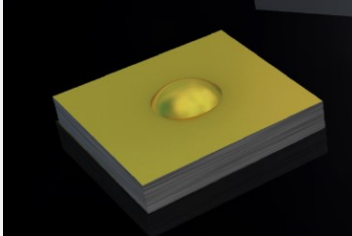


Fiber coupler and collimator

18-01342



Features and Advantages

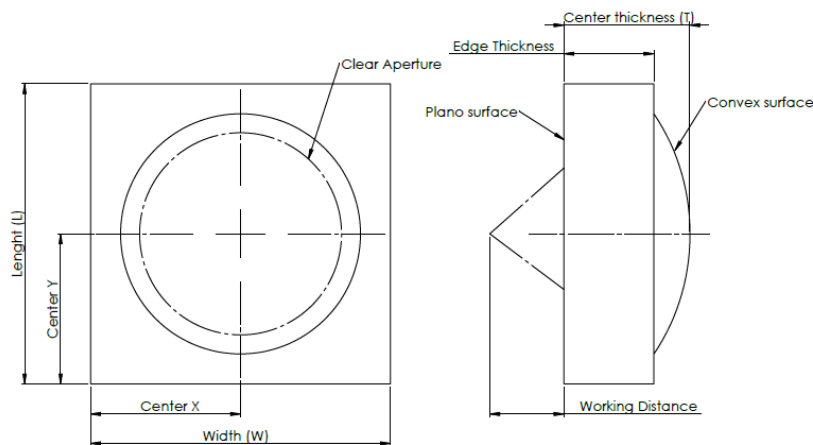
Precision etched, single microlens for laser diode collimation. Available with standard AR coatings for datacom and telecom wavelengths. Optimal for mass-production of optical assemblies due to tightly controlled lens parameters in wafer-level manufacturing.

* Product picture & drawing only for reference.

Product Specifications

Specification Data	Unit	Value
Material		Silicon
Length (L)	mm	1.2 ± 0.02
Width (W)	mm	0.6 ± 0.02
Center thickness (T)	mm	0.5 ± 0.02
Clear aperture	mm	φ0.500
Lens radius of curvature	mm	0.83
ROC tolerance within lens array	%	NA
ROC tolerance between parts	%	NA
Conic constant		-3.7 to -1.7
Pitch (P)	mm	NA
Design wavelength	nm	1310
Transmission (with coating)	%	>98
Reflectivity	%	≤1
Effective focal length (EFL)	mm	0.34
Working distance (WD)	mm	0.194
Product description		Si_Sph_R0.83_t0.5_1_001

Product Drawing (mm)



Rev 01 | Updated August 5, 2024

1

All rights reserved. Product specifications and descriptions are subject to change. All our products are patent pending. Please contact our sales representatives for complete details.

Focuslight Switzerland SA

Address: Rouges-Terres 61, 2068 Hauterive, Switzerland

Focuslight (DG) Microoptics Co. Ltd.

Address: No. 49, Jingyi Road, Dongcheng Street, Dongguan City, Guangdong Province, China

Tel: +41 32 566 44 44 (CH) +86 29 8956 0050 (CN) | Email: sales@focuslight.com | Website: <https://www.focuslight.com>