

Fast Axis Collimator

Blue FAC 380



Features and Advantages

Acylindrical lens for the collimation of the fast axis of diode lasers.

The new revision has an increased power content of >92% within ± 1.1 mrad.

Product Specifications

Specification Data	Unit	Value
Material		FL-Blue
Width (W)	mm	0.64 ± 0.02
Thickness (T)	mm	0.537 ± 0.01
Clear aperture	mm ²	3.7×0.54
Refractive index n @ 450 nm		1.762
Effective focal length (EFL) @ 450 nm	mm	0.38
Back focal length (BFL) @ 450 nm	mm	0.075
Numerical aperture (NA)		0.75
Transmission	%	> 99
Power within an angle of ± 1.1 mrad ⁽¹⁾	%	> 92

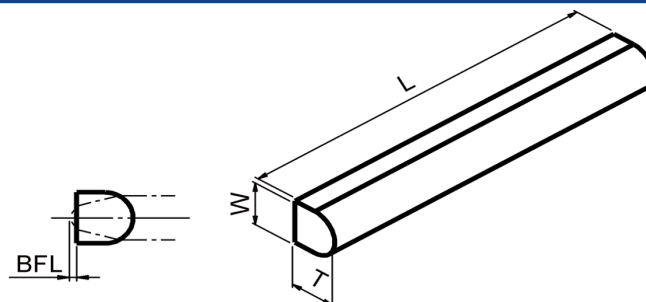
Product Code	ZLE002500	
Specification Data ⁽³⁾	Unit	
Length (L)	mm	4.0 ± 0.05
AR-Coating	nm	430 - 470
Surface imperfections (DIN ISO 10110-7)		5/2x0.025; C2x0.1; L2x0.04; E ⁽²⁾

⁽¹⁾ Valid for an emitter-height of 0.7 μ m and no smile of the laser diode; the design of FAC380 is diffraction limited: $(FW/e^2, \text{Gaussian})$ remaining div. \sim emitter height / EFL(FAC)

⁽²⁾ Chipping on short edge 0.1, chipping on long edge 0.05.

⁽³⁾ Customized design, dimensions & coating on request.

Product Drawing (mm)



Rev 03 | Updated September 25, 2023 | RoHS compliant 2011/65/EU and 2015/863/EU

1

All rights reserved. Product specifications and descriptions are subject to change. All our products are patent pending. Please contact our sales representatives for complete details.

LIMO GmbH

Focuslight (DG) Microoptics Co. Ltd.

Address: Bookenburgweg 4-8, 44319 Dortmund, Germany

Address: No. 49, Jingyi Road, Dongcheng Street, Dongguan City, Guangdong Province, China

Tel: +49 231 22 24 1-0 (DE) +86 29 8956 0050 (CN) | Email: sales@focuslight.com | Website: <https://www.focuslight.com>