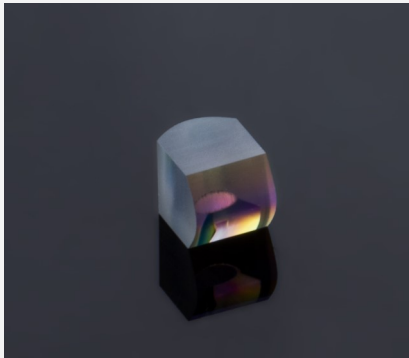


Coupler for Pumping Application

Monolithic solution for blue emitting TO-Cans



Features and Advantages

Monolithic beam shaping and focusing optic for efficient light coupling of a single emitter (TO-can) for pumping applications.

The coupler is designed to be mounted in front of a single emitter, which is mounted in a TO-can housing.

(*) Product similar to image, see product drawing below.

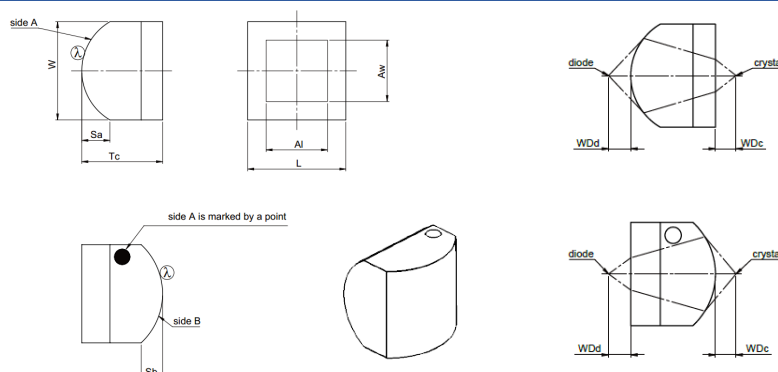
Product Specifications

Product Code	ZLE000420	
Specification Data	Unit	Value
Material		S-LAM52 (Ohara)
Length (L)	mm	2.4 ± 0.1
Width (W)	mm	2.4 ± 0.1
Thickness (T)	mm	2.0 + 0 / - 0.1
Clear Aperture (A _l x A _w)	mm ²	1.5 x 1.5
Refractive Index @ 445 nm		1.739
Effective Focal Length (EFL) @ 445 nm	mm	FA: 1.047; SA: 1.752
Working Distance WD _d ⁽¹⁾	mm	1.19
Distance Coupler to Crystal WD _c	mm	7.0
Numerical Aperture (NA)		FA:0.5; SA:0.12
AR Coating	nm	420 - 470
Transmission	%	> 99
Pump Spot Size (FW 1/e ²) ⁽²⁾	µm	15 ± 5
Surface Imperfections (DIN ISO 10110-7)		5/ 10x0.01; C10x0.063; L4x0.016; E0.4

⁽¹⁾ Distance Emitter Facet to Coupler

⁽²⁾ Valid for an emitter height of 2 µm (NA 0.33) and an emitter width of 14 µm (NA 0.12)

Product Drawing



Rev 05 | Updated July 25, 2022 | RoHS compliant 2011/65/EU and 2015/863/EU

1

All rights reserved. Product specifications and descriptions are subject to change. All our products are patent pending. Please contact our sales representatives for complete details.

LIMO GmbH

Focuslight (DG) Microoptics Co. Ltd.

Address: Bookenburgweg 4-8, 44319 Dortmund, Germany

Address: No. 49, Jingyi Road, Dongcheng Street, Dongguan City, Guangdong Province, China

Tel: +49 231 22 24 1-0 (DE) +86 29 8956 0050 (CN) | Email: sales@focuslight.com | Website: https://www.focuslight.com