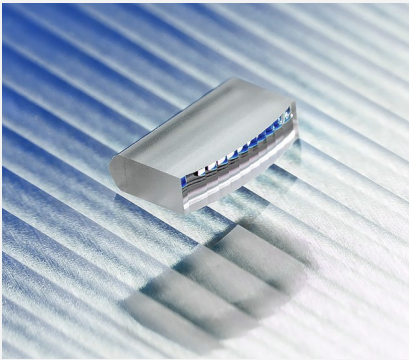


Fiber Coupler for Mini-Bars

Monolithic solution for VIS and IR



Features and Advantages

Monolithic fiber coupler for the efficient coupling of the light output of mini-bars with 10 emitters into optics fibers with a core diameter of 600 μm or larger and NA of 0.22 or larger.

Product Specifications

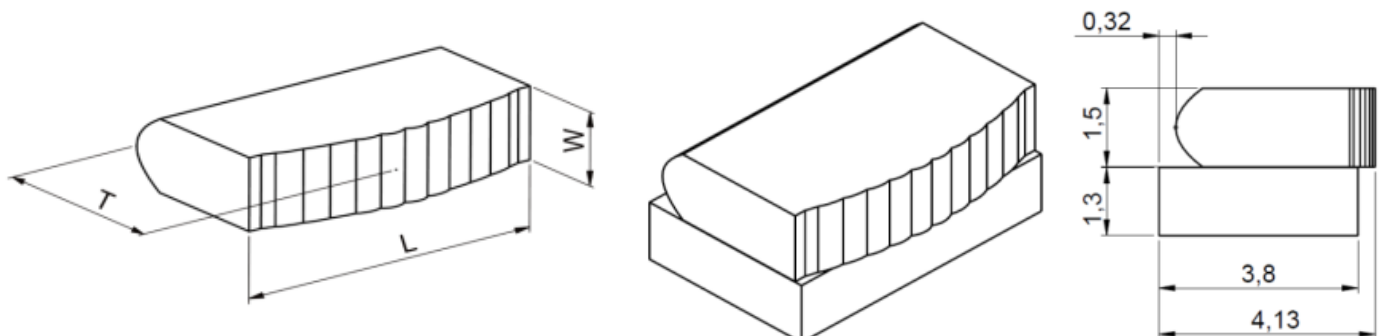
Specification Data	Unit	Value
Material		S-TIH53 (Ohara)
Length (L)	mm	6.0 ± 0.1
Width (W)	mm	1.5 ± 0.1
Thickness (T)	mm	3.81 ± 0.05
Clear Aperture	mm ²	5.0×1.2
Numerical Aperture (NA)		FA:0.5; SA:0.08
Transmission	%	> 99
Typical Coupling Efficiencies (for Uncoated Fibers)		
10 Emitters (Width: 90 μm); Fiber Diameter 600 μm , NA 0.22	%	90
10 Emitters (Width: 90 μm); Fiber Diameter 800 μm , NA 0.22	%	92
Surface Imperfections (DIN ISO 10110-7)		5/ 2x0.025; C3x0.1; L1x0.025; E ⁽¹⁾

Product Code	ZLE001723 ⁽²⁾	ZLE001674 ⁽²⁾	MOD000399 ⁽²⁾
Specification Data	Unit	Value	Value
Distance Emitter Facet to Coupler	mm	0.4	0.4
Distance Coupler to Fiber	mm	11.8 (@ 970 nm)	11.8 (@ 970 nm)
AR Coating	nm	790 - 990 nm	600 - 700 nm

⁽¹⁾ Chipping on short edge 0.2, chipping on long edge 0.08.

⁽²⁾ Example for customization—design, dimensions, coatings & bottom tabs on request.

Product Drawing



Rev 03 | Updated June 8, 2022 | RoHS compliant 2011/65/EU and 2015/863/EU